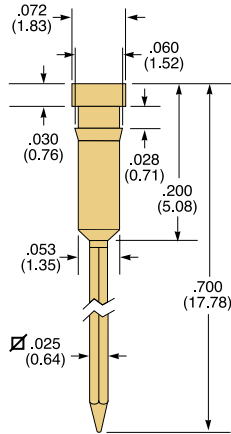


TO ORDER, CALL 909-625-9390

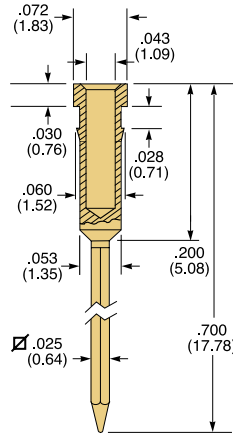
**SIP-90-2**

**Materials:** Brass, gold plated  
**Mounting Hole Size:** .055 (1.40)  
**Applications:** Designed for use in original GenRad interface blocks.



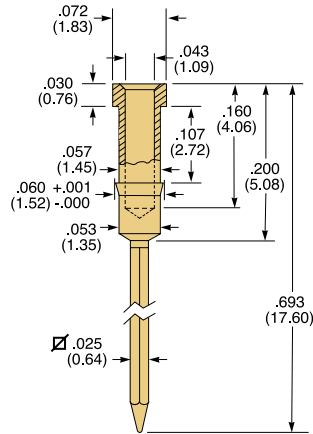
**SIP-90-3**

**Materials:** Brass, gold plated  
**Mounting Hole Size:** .055 (1.40)  
**Applications:** Designed for use in original Zehntel interface panels.



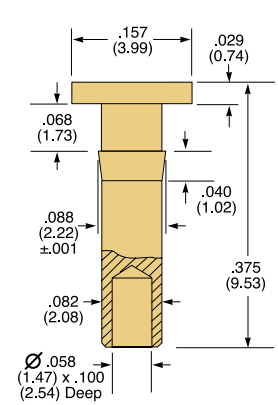
**SIP-90-4**

**Materials:** Brass, gold plated  
**Mounting Hole Size:** .055 (1.40)  
**Applications:** Designed for use in original Factron interface panels. SIP-90-4 replaces SIP-90-1.



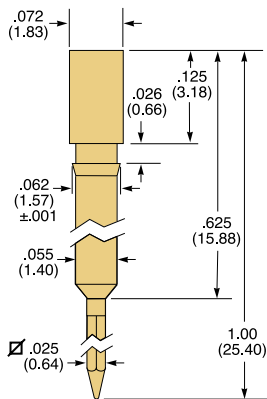
**GPP-95-2**

**Materials:** Brass, gold plated  
**Mounting Hole Size:** .085 (2.15)  
**Applications:** Designed for use in original GenRad interface boards.



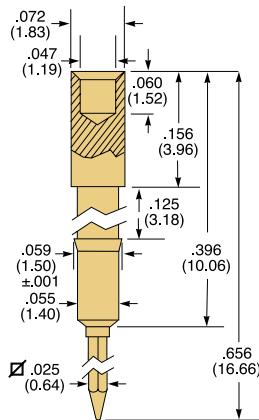
**SIP-90-5**

**Materials:** Brass, gold plated  
**Mounting Hole Size:** .057 (1.45)  
**Applications:** General interconnect.



**SIP-90-6**

**Materials:** Brass, gold plated  
**Mounting Hole Size:** .057 (1.45)  
**Applications:** General interconnect.



**SIP-90-7**

**Materials:** Brass, gold plated  
**Mounting Hole Size:** .0595 (1.51)  
**Applications:** General interconnect.

