

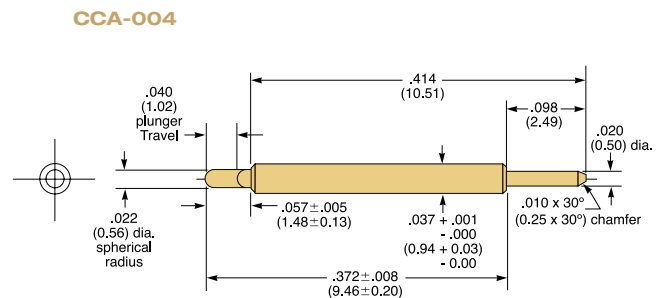
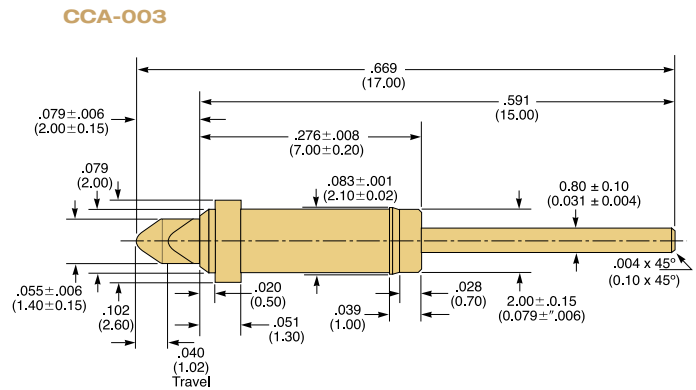
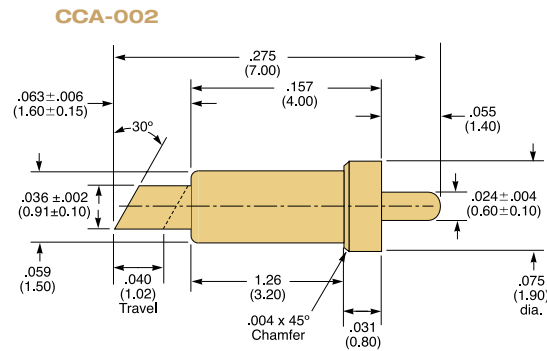
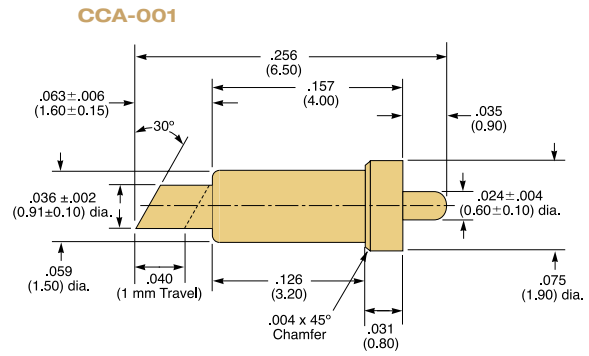
# CCA-001/002/ 003/004

# Battery Interconnect Probes

TO ORDER, CALL 909-625-9390

Probe Specifications	CCA-001	CCA-002	CCA-003	CCA-004
<b>Mechanical</b>				
Full Travel:	.060 (1.52)	.060 (1.52)	.078 (1.98)	.057 (1.48)
Recommended Working Travel:	.040 (1.00)	.040 (1.00)	.040 (1.00)	.040 (1.02)
Mechanical Life Exceeds:	100,000 cycles	100,000 cycles	100,000 cycles	100,000 cycles
<b>Operating Temperature</b>	-35°C to +105°C	-35°C to +105°C	-35°C to +105°C	-35°C to +105°C
<b>Electrical (Static Conditions)</b>				
Current Rating:	5 amps continuous	5 amps continuous	5 amps continuous	5 amps continuous
<b>Probe Resistance</b>	50 mΩ	50 mΩ	50 mΩ	50 mΩ
<b>Materials and Finishes</b>				
Plunger:	Brass, gold plated	Brass, gold plated	Brass, gold plated	Brass, gold plated
Barrel:	Brass, gold plated	Brass, gold plated	Brass, gold plated	Brass, gold plated
Spring:	Music wire, gold plated	Music wire, gold plated	Music wire, gold plated	Music wire, gold plated

Spring Force in oz. (grams)			
Spring Type	Preload		Working Travel
CCA-001	.853 (24.20)		3.93 (111.51)
CCA-002	.853 (24.20)		3.93 (111.51)
CCA-003	1.27 (36.04)		2.59 (73.49)
CCA-004	.83 (23.55)		2.85 (80.87)



**Note:** CCA prefix represents non-standard probes. please consult factory, lead times may vary.

Dimensions in inches (millimeters)

